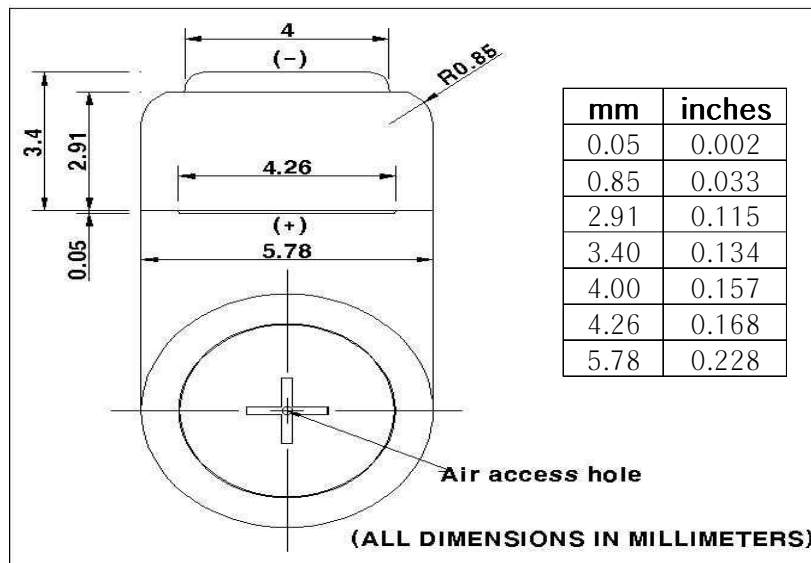


## iCellTech Corp.

904 Gayang Techno Town 1487 Gayang 3 dong  
 Gangsuh Gu Seoul 157-793 Korea  
 TEL: 82-2-3665-6962 FAX: 82-2-6735-6965  
 WebSite : <http://www.icelltech.com>  
 E-Mail : [sales@icelltech.com](mailto:sales@icelltech.com)

### Model : 10 Platinum Engineering Data sheet



### SPECIFICATIONS

Nominal Voltage :	1.4V
Rated Capacity :	105mAh
	(at 3000Ω 25°C 50%)
Average weight :	0.30g
Volume :	79mm <sup>3</sup>
Operating Temp :	0°C ~ 50°C
Impedance :	≤8Ω (at AC 1KHz)
Limiting current :	3mA at 1.1V
IEC :	PR70
Terminals :	FLAT

#### Important Notice

This data sheet contains information specific to batteries manufactured at the time of its publication  
 Contents herein do not constitute a warranty.  
 Copyright iCellTech Corp. – All Rights Reserved

### DISCHARGE CHARACTERISTICS (25°C 50%) (Discharged 16 hours/day)

