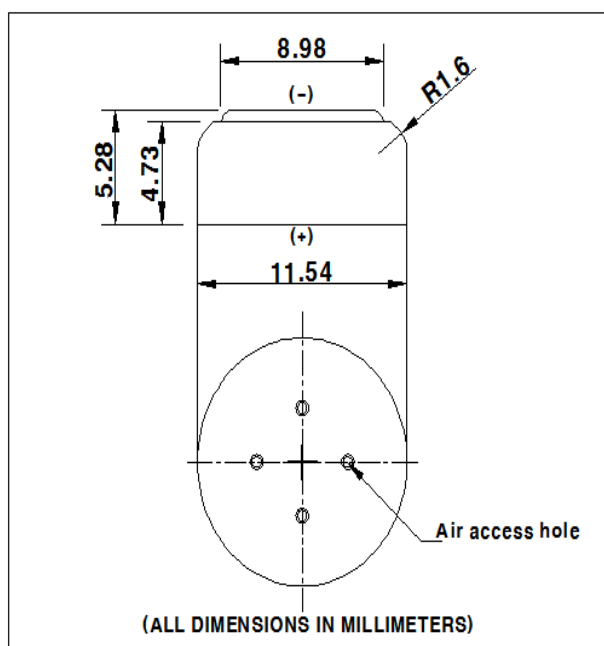


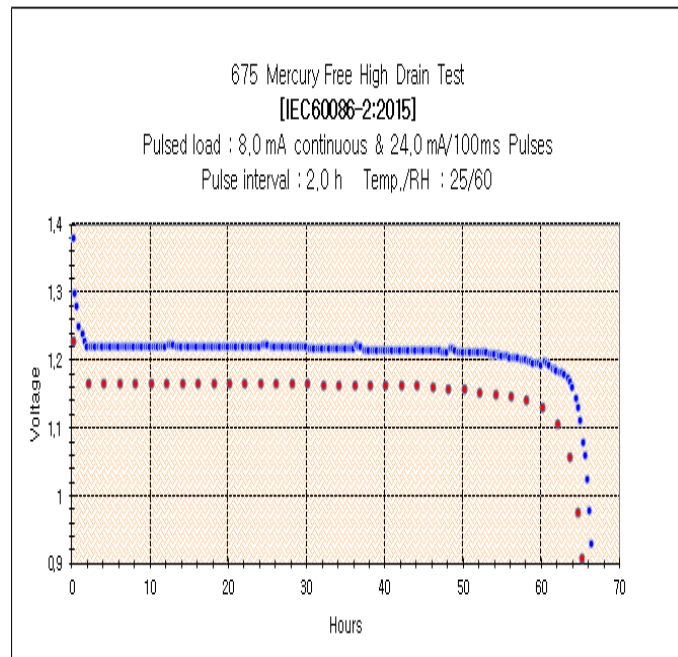
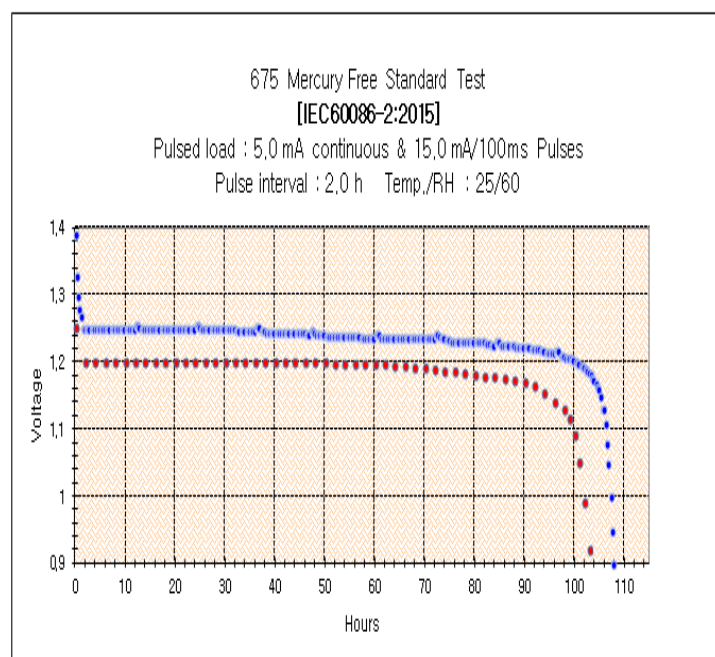
675 Mercury Free-Engineering Data sheet



SPECIFICATIONS

Type designation :	675DS
Nominal voltage :	1.45V
Typical capacity:	550mAh
Average weight :	1.63g
Operating Temp :	-10°C ~ 50°C
Impedance :	≤3Ω (at AC 1KHz)
Available current :	20mA at 1.1V
IEC :	PR44
Terminals :	FLAT
Shelf life :	4 years

(Discharge Charts of IEC 60086-2:2015 Standards)



Important Notice

This data sheet contains information specific to batteries manufactured at the time of its publication
 Contents herein do not constitute a warranty.

Copyright **iCellTech Corp.** – All Rights Reserved