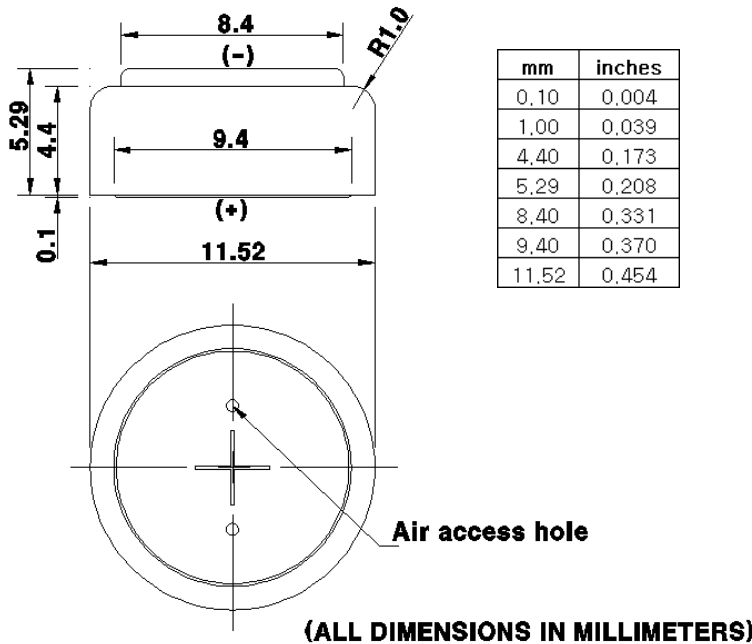


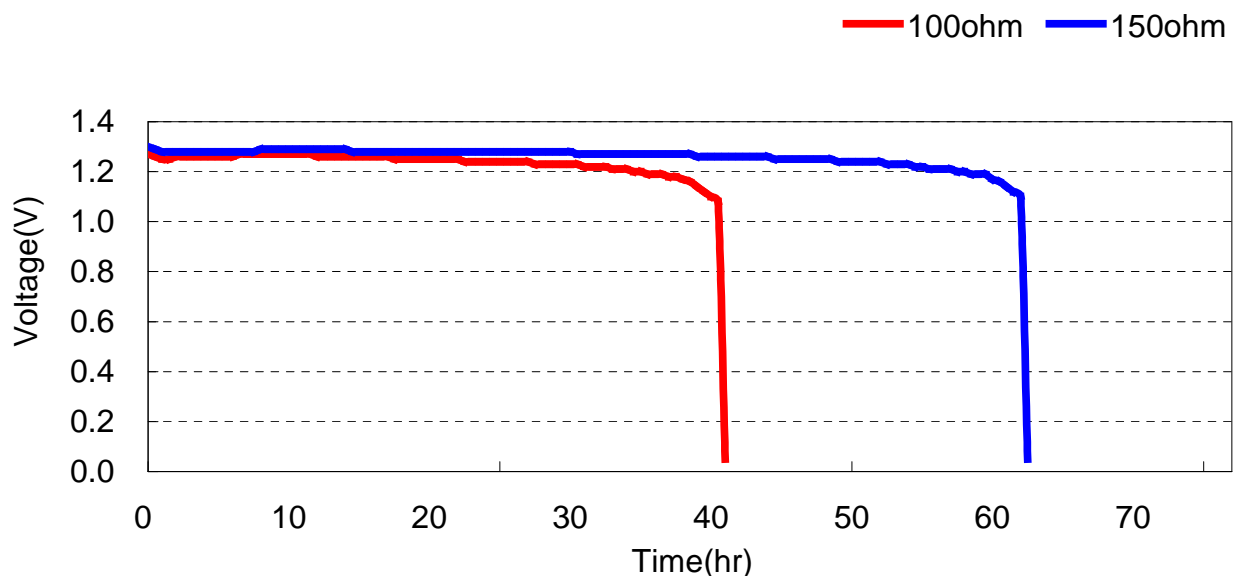
Model : 675C/I(Cochlear Implant) Engineering Data sheet



SPECIFICATIONS

Nominal Voltage :	1.4V
Rated Capacity :	550mAh
	(at 3000Ω 25°C 50%)
Average weight :	1.5836g
Volume :	506.7mm ³
Operating Temp :	0°C ~ 50°C
Impedance :	≤3Ω (at AC 1KHz)
Limiting current :	24mA at 1.1V
IEC :	PR44
Terminals :	FLAT

DISCHARGE CHARACTERISTICS (25°C 50%)



Important Notice

This data sheet contains information specific to batteries manufactured at the time of its publication

Contents herein do not constitute a warranty.

Copyright iCellTech Corp. – All Rights Reserved